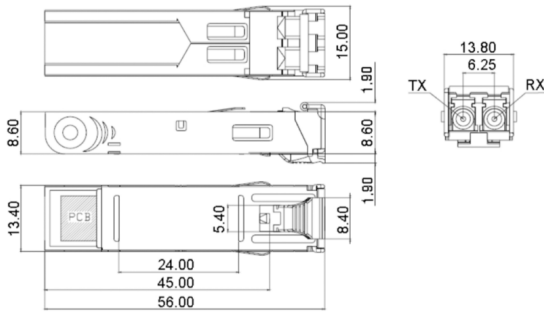


# SG-SFP Module

1.25Gbps Gigabit Ethernet SFP Transceiver (Single Fiber)



## Description

The SFP module using single-fiber with WDM technology (bi-directional), operate on a single strand of standard SMF. The transceivers provide extended connectivity up to 20/40/100 km transmission distance. They uses wavelength of 1310/1550 nm with single core of fiber optic to transmit and receive for optical data communications.

## Features

- 1000Base-LX Gigabit Ethernet compliant (IEEE 802.3z)
- Support Flow Control (IEEE 802.3x)
- Non-return-to-zero modulation
- Support ANSI for 1.06 Fiber Channel
- Support DDMI (Digital Diagnostics Monitoring Interface)
- Single LC connector (Simplex)
- Hot-Swappable support
- Wavelength : 1310/1550nm(Rx) & 1550/1310nm(Tx) // 20 km  
: 1490/1550nm(Rx) & 1550/1490nm(Tx) // 40,100 km
- Optical Transmission Power (20km) : -9 to -3 dBm  
Optical Transmission Power (40km) : -5 to 0 dBm
- Optical Receive Sensitivity (20km) : -23 dBm  
Optical Receive Sensitivity (40km) : -23 dBm
- Operating Temperature : 0 to 70 °C  
Storage Temperature : -40 to 85 °C
- Operating Humidity 0~95% RH (non-condensing)
- Storage Humidity 0~95% RH (non-condensing)
- Support Singlemode (9/125 um)
- Mean time between failures (MTBF) : 280,000 hours
- Operating Voltage : 3.3 V
- FCC part 15 Class B compliant
- Lead free, RoHS compliant
- EN 61000-3-2, EN 61000-3-3, IEC/EN61000-4-2 compliant
- TUV compliant
- Class 1 laser safety standard IEC/EN 60825-1 compliant
- FDA21: 1040.10 compliant
- ISO 9001 Manufacturer Certified