

IPC-HFW5242H-Z6E-MF

2MP Vari-focal Bullet Network Camera



Overview

Shogun network camera with starlight solution and deep learning algorithm, has various intelligent functions, including face capture, perimeter protection and people counting, which greatly improve the accuracy of video analysis. The series camera supports dust-proof function, waterproof function and vandal-proof function, complying with the standards of IP67 and IK10 (Supported by some select models).

Key Feature

- 1/1.8" 2Megapixel progressive scan CMOS
- ROI, SMART H.264+/H.265+, flexible coding, applicable to various bandwidth and storage environments
- 50/60 fps@1080P (1920 × 1080)
- WDR (140 dB), Day/Night (ICR), 3D DNR, AWB, AGC, BLC
- Multiple network monitoring: Web viewer, CMS (DSS/PSS) & DMSS
- 2.7 mm–12.0 mm motorized lens
- 1/1 Alarm in/out, 1/1 audio in/out
- Max. IR LEDs Length 50 m
- Micro SD memory, IP67, IK10

Function

Face Detection

Face Detection technology can detect the face in the image. With deep learning algorithm, the technology supports detecting, tracking, capturing and selecting the best face image, and then outputs face snapshot.

Face Attributes

With deep learning algorithm, the network camera can recognize face attributes, such as gender, age, expression, glasses, mouth mask, and beard.

Perimeter Protection

With deep learning algorithm, Perimeter Protection technology can recognize human and vehicle accurately. In restricted area (such as pedestrian area and vehicle area), the false alarms of intelligent detection based on target type (such as tripwire, intrusion, fast moving, parking detection, loitering detection and gathering detection) are largely reduced.

People Counting

With deep learning algorithm, People Counting technology can track and process moving human body targets to realize the accurate statistics of enter No., leave No., and In Area No. Working with management platform, it outputs yearly/monthly/daily reports to meet your requirements.

Cyber Security

Network camera is equipped with a series of key security technologies, such as security authentication and authorization, access control, trusted protection, encrypted transmission, and encrypted storage, which improve its security defense and data protection, and prevent malicious programs from invading the device.

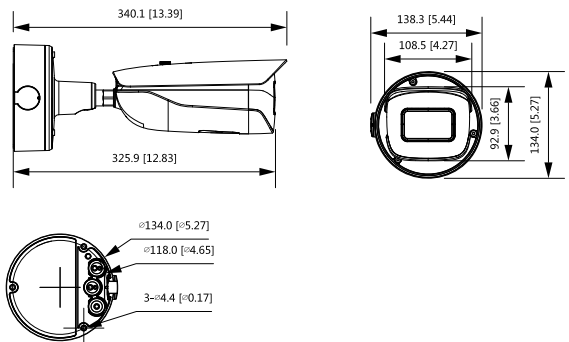
Protection (IP67, IK10, wide voltage)

IP67: The camera passes a series of strict test on dust and soak. It has dust-proof function, and the enclosure can work normal after soaking in 1 m deep water for 30 minutes.

IK10: The enclosure can stand the punch more than 5 times from a 5 kg hammer falling from a height of 40 cm (Impact energy is 20J).

Wide voltage: The camera allows $\pm 30\%$ (for some power supplies) input voltage tolerance (wide voltage range), and it is widely applied to outdoor environment with instable voltage.

Dimensions



IPC-HFW5242H-Z6E-MF

2MP Vari-focal Bullet Network Camera

Technical Specification

Camera

Image Sensor	1/1.8" CMOS
Max. Resolution	1920 (H) × 1080 (V)
ROM	128 MB
RAM	1 GB
Scanning System	Progressive
Electronic Shutter Speed	Auto/Manual 1/3 s–1/100,000 s
Min. Illumination	0.002 Lux@F1.6 (Color, 30IRE) 0.0002 Lux@F1.6 (B/W, 30IRE) 0 Lux (Illuminator on)
S/N Ratio	>56 dB
Illumination Distance	140 m (459.3 ft) (IR LED)
Illuminator On/Off Control	Auto/Manual
Illuminator Number	4 (IR LED)
Pan/Tilt/Rotation Range	Pan: 0°–360° Tilt: 0°–90° Rotation: 0°–360°

Lens

Lens Type	Motorized vari-focal				
Mount Type	Module				
Focal Length	8 mm–48 mm				
Max. Aperture	F1.6 (Constant)				
Field of View	Horizontal: 42°–10.9° Vertical: 23°–6° Diagonal: 49°–12°				
Iris Type	Auto				
Close Focus Distance	2.5 m–6 m (8.2 ft–19.7 ft)				
DORI Distance	Lens	Detect	Observe	Recognize	Identify
	W	107.0 m (351.0 ft)	40.0 m (131.2 ft)	21.0 m (68.9 ft)	10.0 m (32.8 ft)
	T	400.0 m (1312.3 ft)	160 m (524.9 ft)	80.0 m (262.5 ft)	40.0 m (131.2 ft)

Smart Event

IVS	Abandoned object; missing object
Heat Map	Yes

Professional, intelligent

IVS (Perimeter Protection)	Tripwire; intrusion; fast moving (the three functions support the classification and accurate detection of vehicle and human); loitering detection; people gathering; parking detection
----------------------------	---

Face Detection	Face detection; track; optimization; snapshot; report high quality picture; face enhancement; face exposure; face attribute extract, 6 attributes and 8 expressions: Gender, age, glasses, expressions (anger, calm, happiness, sadness, disgust, surprise, confusion and fear), mask, beard; face matting setting: face, single inch photo; three snapshot methods: real-time snapshot, optimization snapshot, quality priority; face angle filter; optimization time setting
People Counting	Support the counting of enter number, leave number and pass number, and displaying and outputting yearly/monthly/daily reports Support the counting of number in area, and 4 rules configuration. Count number of people or stay time and link alarm Support queue management, and 4 rules configuration. Count number of people or stay time and link alarm
Intelligent Search	Work together with Smart NVR to perform refine intelligent search, event extraction and merging to event videos

Video

Video Compression	H.265; H.264; H.264H; H.264B; MJPEG (only supported by the sub stream)
Smart Codec	Smart H.265+/H.264+
Video Frame Rate	Main stream: 1920 × 1080 (1 fps–50/60 fps) Sub stream: D1 (1 fps–50/60 fps) Third stream: 1080p (1 fps–25/30 fps) *The values above are the max. frame rates of each stream; for multiple streams, the values will be subjected to the total encoding capacity.
Stream Capability	3 streams
Resolution	1080p (1920 × 1080); 1.3M (1280 × 960); 720p (1280 × 720); D1 (704 × 576/704 × 480); VGA (640 × 480); CIF (354 × 288/354 × 240)
Bit Rate Control	CBR/VBR
Video Bit Rate	H.264: 32 kbps–8192 kbps H.265: 19 kbps–8192 kbps
Day/Night	Auto (ICR)/Color/B/W
BLC	Yes
HLC	Yes
WDR	140 dB
White Balance	Auto/natural/street lamp/outdoor/manual/regional custom
Gain Control	Auto/Manual
Noise Reduction	3D NR
Motion Detection	OFF/ON (4 areas, rectangular)
Region of Interest (Rol)	Yes (4 areas)
Electronic Image Stabilization (EIS)	Yes
Smart Illumination	Yes
Defog	Yes
Image Rotation	0°/90°/180°/270°
Mirror	Yes
Privacy Masking	4 areas

IPC-HFW5242H-Z6E-MF

2MP Vari-focal Bullet Network Camera

Audio		Environment	
Audio Compression	PCM; G.711a; G.711Mu; G.726; G.723	Operating Conditions	-30°C to +60°C (-22°F to +140°F)/Less than 95% RH
Alarm		Storage Conditions	-40°C to +60°C (-40°F to +140°F)
Alarm Event	No SD card; SD card full; SD card error; network disconnection; IP conflict; illegal access; motion detection; video tampering; defocus detection; scene changing; intrusion; tripwire; abandoned object; missing object; fast moving; parking detection; loitering detection; people gathering; input abnormal detection; intensity change detection; people counting; face detection; voltage detection; people counting in area; stay alarm; people No. exception detection, queue management	Protection Grade	IP67, IK10, Anti-Corrosion Protection: NEMA 4X (optional)
Network		Structure	
Network	RJ-45 (10/100 Base-T)	Casing	Metal + Plastic
SDK and API	Yes	Dimensions	340.1 mm × 108.5 mm × 92.9 mm (13.4" × 4.3" × 3.7") (L × W × H)
Cyber Security	Video encryption; firmware encryption; configuration encryption; Digest; WSSE; account lockout; security logs; IP/MAC filtering; generation and importing of X.509 certification; syslog; HTTPS; 802.1x; trusted boot; trusted execution; trusted upgrade	Net Weight	1.47 kg (3.2 lb)
Protocol	IPv4; IPv6; HTTP; TCP; UDP; ARP; RTP; RTSP; RTCP; RTMP; SMTP; FTP; SFTP; DHCP; DNS; DDNS; QoS; UPnP; NTP; Multicast; ICMP; IGMP; NFS; SAMBA; PPPoE; SNMP	Gross Weight	2.34 kg (5.2 lb)
Interoperability	ONVIF (Profile S/Profile G/Profile T); CGI; Milestone; Genetec; P2P		
User/Host	20 (Total bandwidth: 88 M)		
Storage	FTP; SFTP; Micro SD Card (support max. 256 G); NAS		
Browser	IE: IE8 and later Chrome Firefox Safari: Safari 12 and later		
Management Software	Smart PSS; DSS; DMSS		
Mobile Phone	IOS; Android		
Certification			
Certification	CE-LVD: EN62368-1, EN60950-22 (optional) CE-EMC: Electromagnetic Compatibility Directive 2014/30/EU FCC: 47 CFR FCC Part 15, Subpart B UL/CUL: UL60950-1 CAN/CSA C22.2 No.60950-1-07, UL 50E NEMA Type 4X (optional)		
Port			
Audio Input	1 channel (3.5mm JACK port)		
Audio Output	1 channel (3.5mm JACK port)		
Alarm Input	3 channels in: 5mA 3V-5V DC		
Alarm Output	2 channels out: 300mA 12V DC		
Power			
Power Supply	12V DC (±30%)/PoE (802.3af)/ePoE		
Power Consumption	Basic power consumption: 2.5W (12V DC); 3.3W (PoE) Max. power consumption (max. stream + intelligent function + IR LED + focus): 9.7W (12V DC); 11.6W (PoE)		