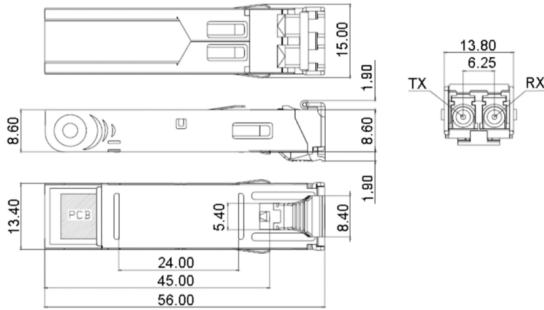


SG-SFP Module

1.25Gbps Gigabit Ethernet SFP Transceiver



Description

This is a standard IEEE 802.3 Mini GBIC transceiver module (SFP). It uses a single mode optical fiber and the speed rate can up to 1.25GB/s, transmission distance up to 10, 20,40, 80 km. This product need to use in pair and match upwith video to fiber converter and optical Ethernet switch with SFP port, it can be used in Ethernet, telecom and optical fiber communication and other industries

Features

- 1000Base-LX Gigabit Ethernet compliant (IEEE 802.3z)
- Support Flow Control (IEEE 802.3x)
- Non-return-to-zero modulation
- Support ANSI for 1.06 Fiber Channel
- Support DDMI (Digital Diagnostics Monitoring Interface)
- Dual LC connector (Duplex)
- Optional : Single LC connector (Simplex)
- Hot-Swappable support
- System Budget : 12 dB
- Optical Transmission Power : -9.5 to -3 dBm
- Optical Receive Sensitivity : -23 dBm (for 20km singlemode SFP)
- Wavelength : 1310nm / 1550nm
- Support Singlemode (9/125 um) or Multimode (62.5/125 um)
- Mean time between failures (MTBF) : 280,000 hours
- Operating Temperature : 0 to 70 °C
- Operating Voltage : 3.3-5 VDC (Single Power Supply)
- FCC part 15 Class B compliant
- Lead free, RoHS compliant
- EN61000-3 & IEC61000-4-2 compliant
- TUV compliant
- Class 1 laser safety standard IEC/EN 60825-1 compliant
- Multi-Source Agreement (MSA) compliant
- FDA21: 1040.10 compliant
- ISO 9001 Manufacturer Certified